



HUME INNOVATION





- ✓ NEW PRODUCTS TO SUIT CURRENT TRENDS
- ✓ CREATIVE DOOR DESIGNS
- ✓ NEW TECHNOLOGY

HUME APPLIED TECHNOLOGIES

Hume Applied Technologies harnesses the significant Research & Development, technical expertise and innovation borne from over 60 years of manufacturing and applies its unique intellect and approach to improve product development and product performance.

Hume has developed strong strategic alliances with other innovative companies in the industry and continues to work on innovative solutions to provide advancements in all areas of operations.

OUR PEOPLE - OUR CULTURE

The culture of skills, experience and enthusiasm of the people within Hume is the engine that drives our development. We place a premium on developing talent internally and promoting from within. This forms the backbone of our operations, reinforced by a recruitment program that strengthens our skills and capabilities.

The result is an unusually high degree of continuity within our different activities.

INSPIRING RANGE FOR HAMPTON STYLE HOMES

HAMPTON

COLLECTION



COASTAL, RAW & ELEGANT

- ✓ CONTEMPORARY DOOR RANGE
- ✓ DESIGNED FOR RELAXED LIVING
- ✓ INNOVATIVE PANELS FOR CLEAN LINES
- ✓ SUITS CURRENT TRENDS

The Hampton Collection of doors is relaxed, coastal and quaint. Raw and natural lines conspire to give a "permanently on holiday" feel.



UNIQUE DESIGN EXCLUSIVE TO HUME

MYSTIQUE RANGE

DANCING WITH LIGHT



MESMERISING LIGHT

- ✓ LASER CUT ALUMINIUM PANELS
- ✓ PLAYS WITH LIGHT & SHADOW
- ✓ ENERGY EFFICIENT
- ✓ SECURE & STRONG

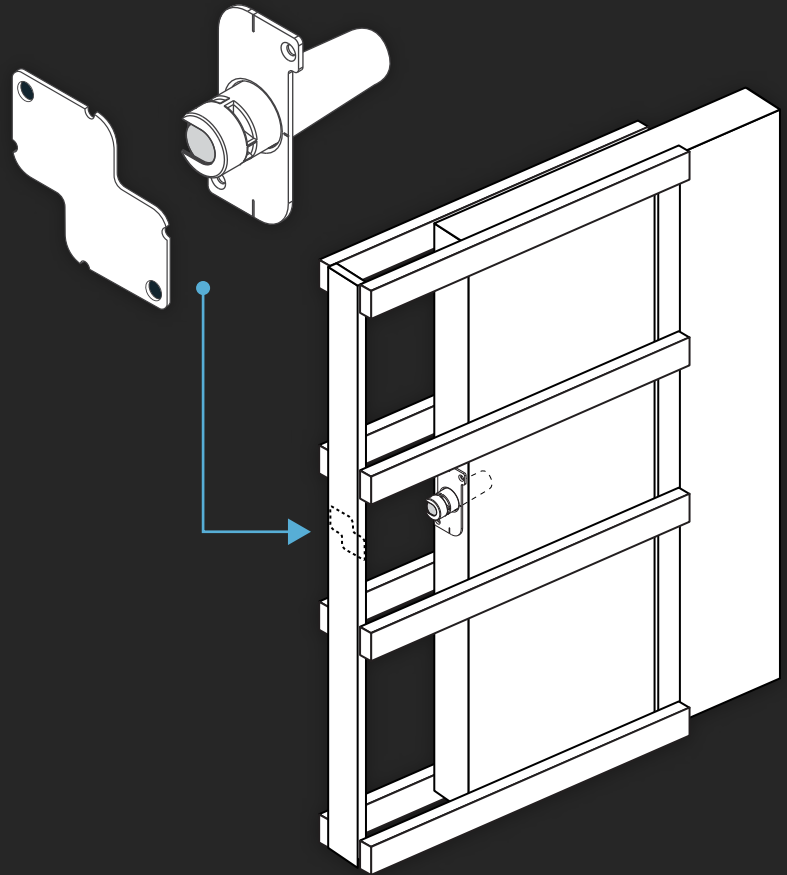
Watch the light dancing as it interplays between the mesmerising screen art panel designs. See the room come to life in a new lively light.



NEW TECHNOLOGY IMPROVES CAVITY PERFORMANCE

EVOLUTION TOUCH

ONE TOUCH CAVITY RELEASE SYSTEM



PERFECT ADDITION FOR CAVITY UNITS

- ✓ HOLDS DOOR FLUSH
- ✓ MAXIMISE DOOR OPENING
- ✓ ONE TOUCH TO RELEASE DOOR
- ✓ EFFORTLESS OPERATION

The Evolution Touch is magnetised and will hold your door firmly open inside the cavity. The soft one touch action spring loaded release system is effortless.





MORE TO COME...

- ✓ INNOVATIVE INSTALLATION SOLUTIONS
- ✓ NEW DOOR DESIGNS
- ✓ CREATIVE PRODUCT DEVELOPMENT
- ✓ SYSTEM UPGRADES

CONTACT US

NEW SOUTH WALES

P | 02 9794 1111

E | info@humedoors.com.au

QUEENSLAND

P | 07 3489 6200

E | sales@humedoorsqld.com.au

VICTORIA

P | 03 9799 6888

E | hdtvic@humedoors.com.au

SOUTH AUSTRALIA

P | 08 8280 2000

E | hdtwa@humedoors.com.au

WESTERN AUSTRALIA

P | 08 9470 1800

E | hdtwa@humedoors.com.au

